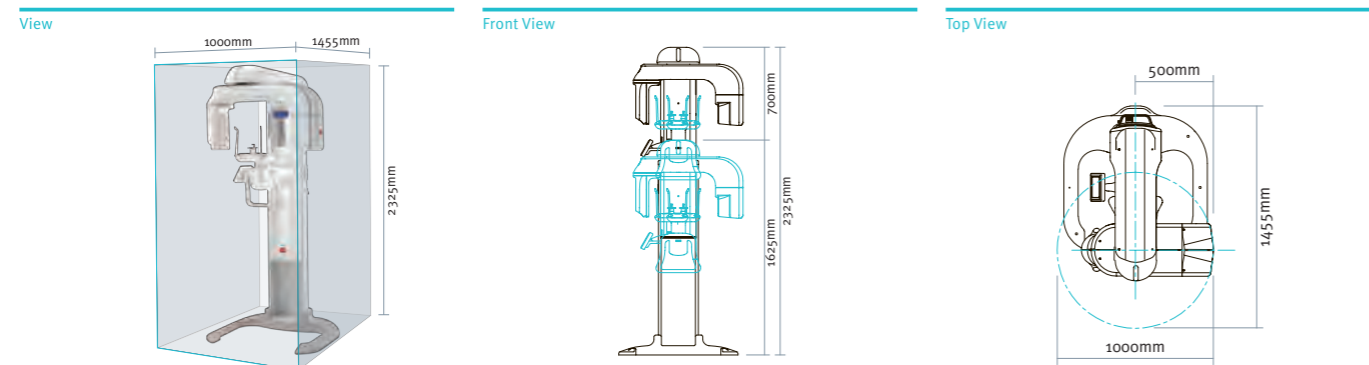
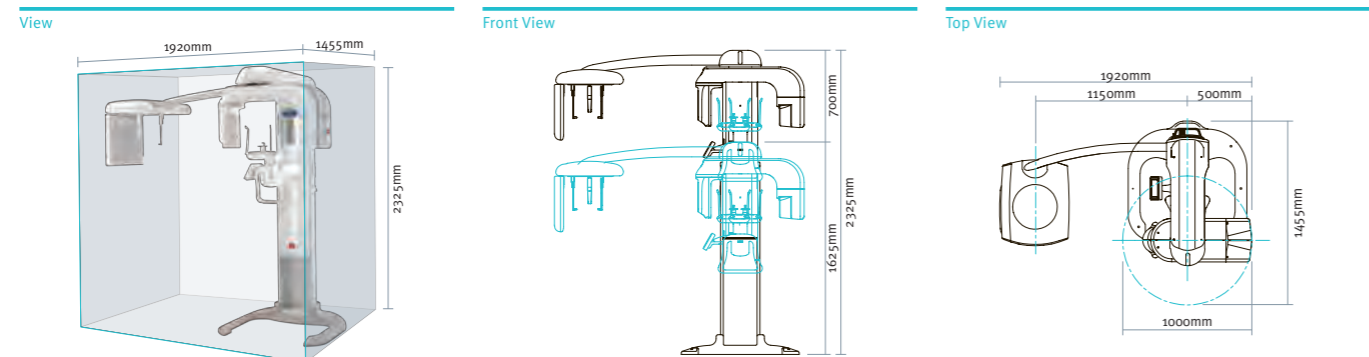


Dimensions

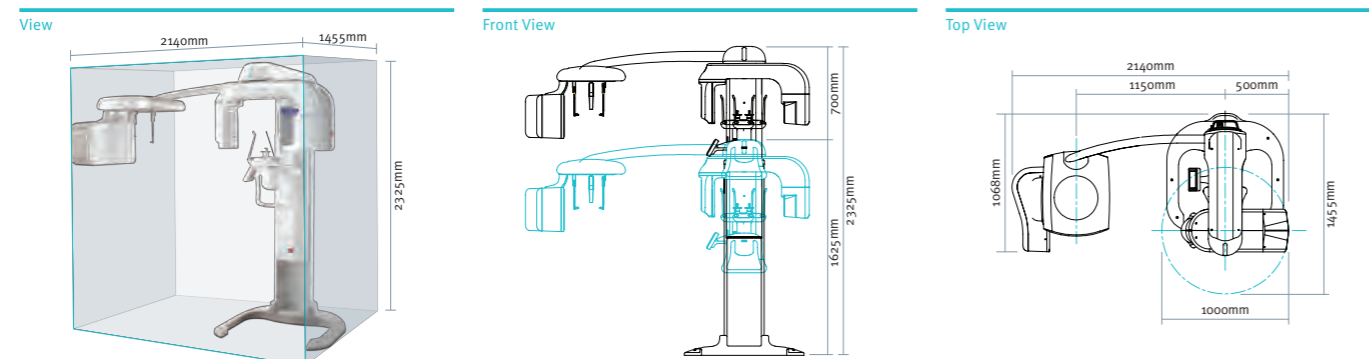
PaX-Uni3D_ Pano / CBCT



PaX-Uni3D OS_ Pano / CBCT / Ceph



PaX-Uni3D ZN_ Pano/CBCT/Ceph



Specification

Function	CBCT + Pano + Ceph	Voxel Size	0.2/0.3mm
FOV Size (cm)	5X5/8X5/8.5X8.5/12X8.5	Reconstruction time	Less than 2 minute
Patient Position	Standing type	Rotating Unit Degree	360
Exposure Time	CT: 15sec/24sec Pano: 9.5sec/13.4sec Ceph: 0.9sec (FPD OS) / 0.9-1.2sec (Zenon OS)	Generator Voltage	50-90kVp
Focal Spot	0.5mm	Generator Current	2-10mA

* The specifications are subject to change without prior notice.

17F KAMCO YANGJAE TOWER, Dogok-dong, Gangnam-gu, Seoul, Korea, 135-860
Sales@vatechglobal.com http://www.vatechglobal.com 2011/03

Dental Pioneer
vatech

Dental Pioneer
vatech



PaX-Uni3D

Genuine Solution for Multi Imaging in Dentistry

GOOD DESIGN

The Optimum Solution for All Diagnosis

The most important value of PaX-Uni3D is that it provides a 3 in 1 system. You can scan every image without purchasing any additional device since PaX- Uni3D OS has separate sensors for CBCT and Pano ,Ceph. Experience the best image quality with VATECH's value-added image technology and integrated sensors.



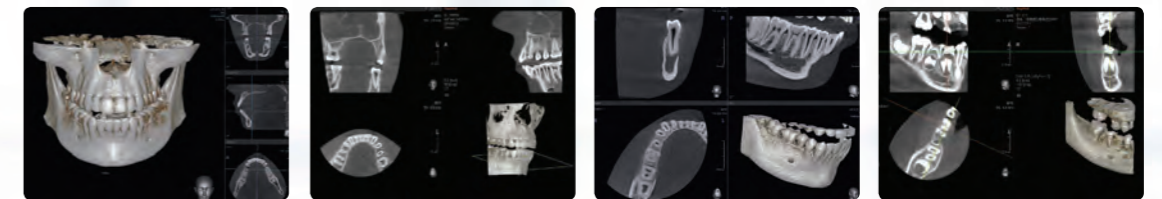
Values at a glance



- ▶ **Superior 3 in 1 System**
 - CBCT + Real Panoramic + Cephalometric
- ▶ **Optimized Imaging Solution for Implant Surgery with Multi FOV**
 - 5X5, 8X5, 8.5X8.5, 12X8.5
- ▶ **Value Added Cephalometric System with Advanced 'One Shot' Technology**
 - Flexible options for cephalometric
 - FPXD (Flat Panel X-ray Detector) System
 - Zenon (Lens Coupled Type Detector) System
- ▶ **Auto Switching Sensor System**
 - Safe & convenient to use

Flexible 3D Imaging with Multi FOV Selection

CBCT is regarded as basic equipment for radiographic examination in implant surgery. With PaX-Uni3D, such added value improves competitiveness of a clinic. PaX-Uni3D provides 4 FOV sizes ranging from 5x5 to 12x8.5. By selecting the appropriate FOV size, you can save time from diagnostic analysis to surgery; along with its optimal radiation dose. With a 12x8.5 FOV size, the status of the entire dental arch, which is to be checked for implant surgery, can be determined with only one scan. FOV size 8.5x8.5cm is also useful for assessing the sinus area, which is essential for maxillary implant placement where sinus lift is needed or for other complicated endodontic procedures. FOV of 8x5 shows one dental quadrant at a time giving more flexibility and data for single to multiple implant cases. Finally, FOV size 5x5 is perfect for single implant cases and endodontic diagnosis with the least dose of x-ray radiation.



FOV 12x8.5

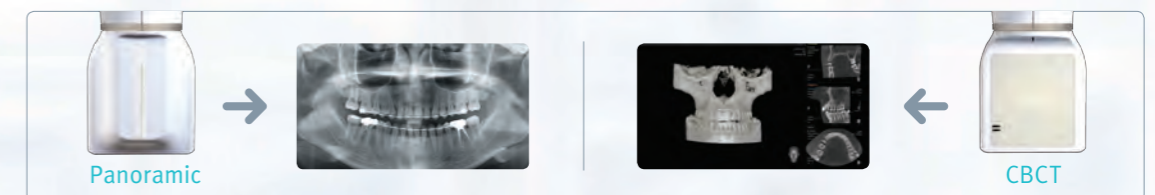
FOV 8.5X8.5

FOV 8x5

FOV 5x5

Convenient & Safe - 'Auto Switching' Sensor System

PaX-Uni3D offers convenient and safe 'Auto Switching' sensor system between CBCT and Panoramic sensors. The sensor is automatically switched according to the selected mode – Pano or CBCT. This smart system gives convenience and peace of mind in your dental practice by eliminating the incidence of sensor damage by accidental dropping.



World Best One Shot Cephalometric System

Customized Options of One Shot Cephalometric system

- ▶ FPD OS : Highly Sensitive Flat Panel X-ray Detector
- ▶ Zenon OS : Lens-coupled type detector

Shortest Exposure Time

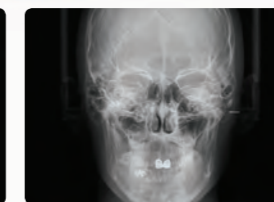
- ▶ FPD OS : 0.9sec
- ▶ Zenon OS : 0.9~1.2sec
- ▶ Ensures the best image quality by minimizing distortion

Slim & Elegant Design

- ▶ Slim & Elegant cephalometric module design secures excellent space efficiency



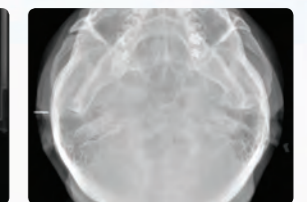
Lateral View



PA(AP) View



Carpus View



SMV (Submento-vertex) View